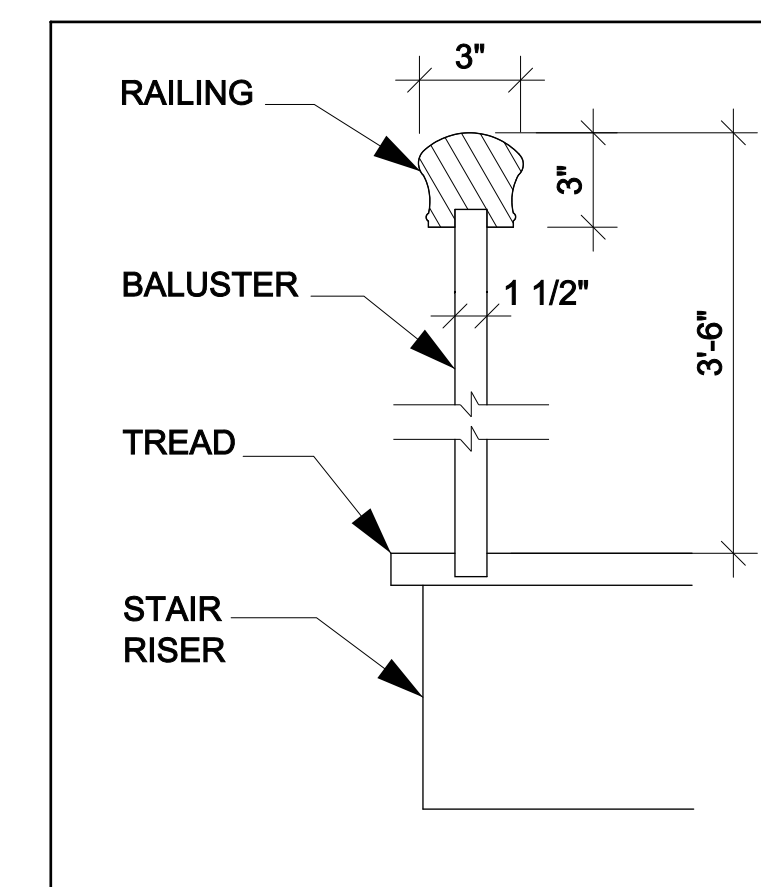
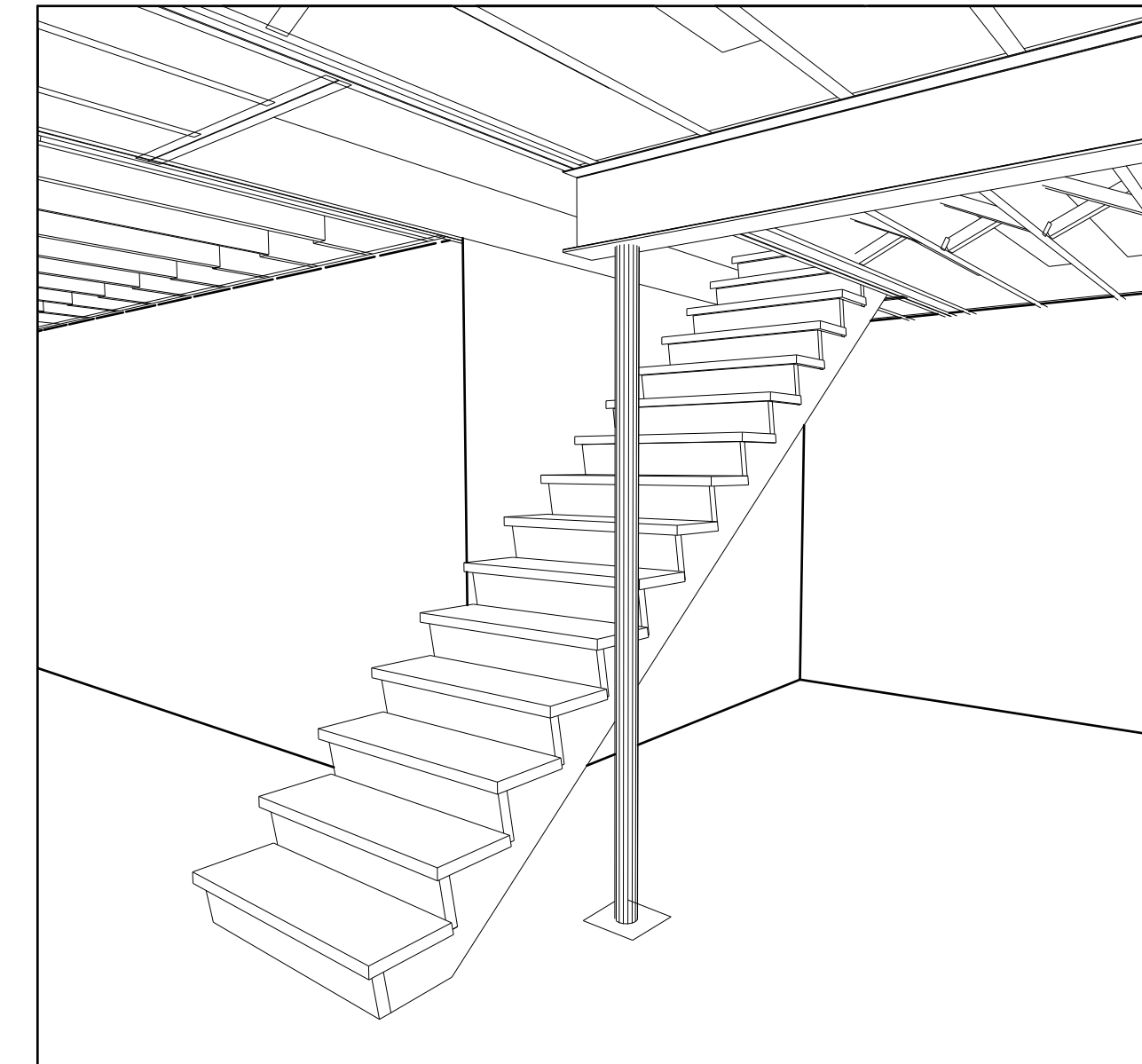


# BUILDING CROSS SECTION

SCALE: 1/4" = 1'-0"

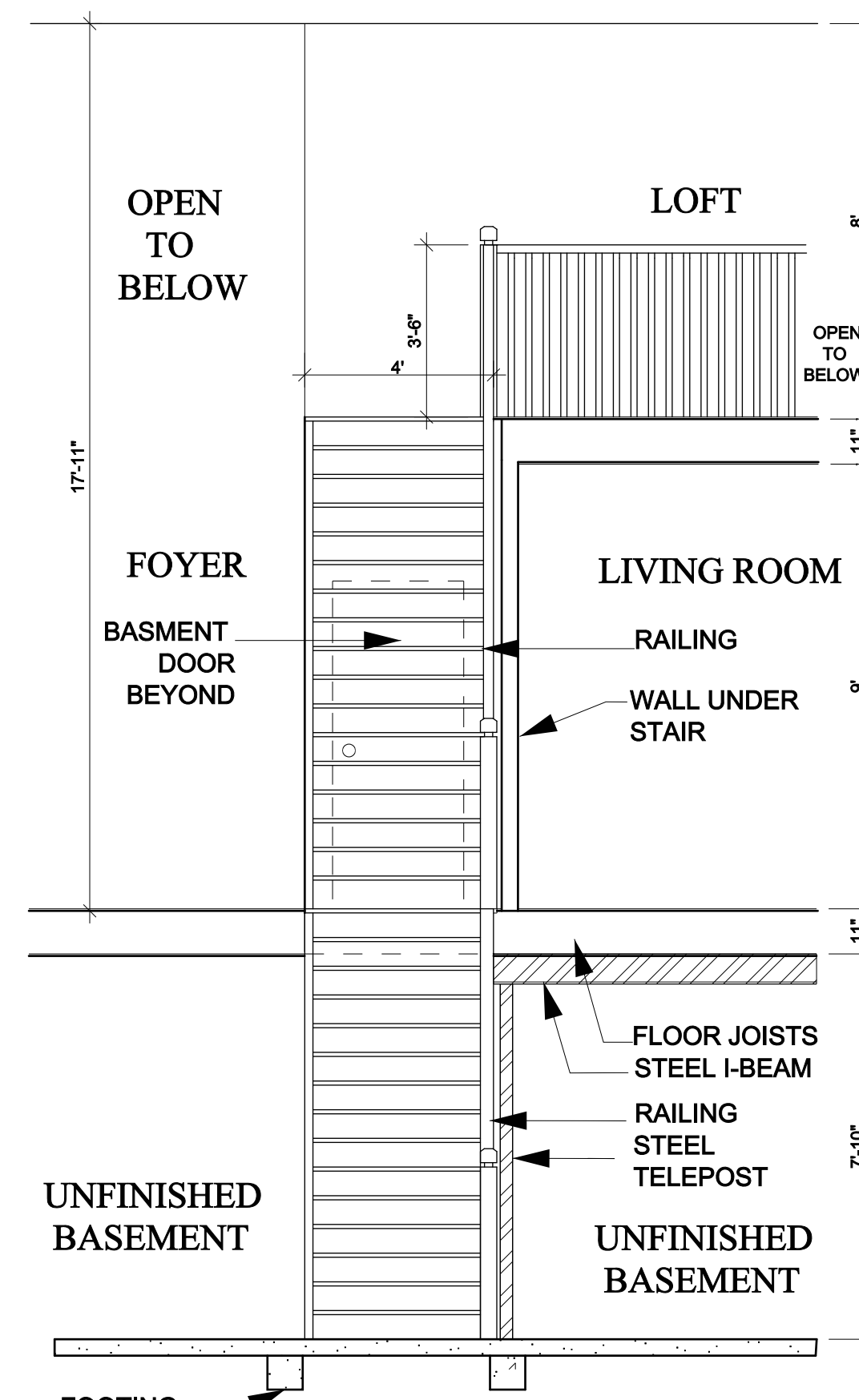
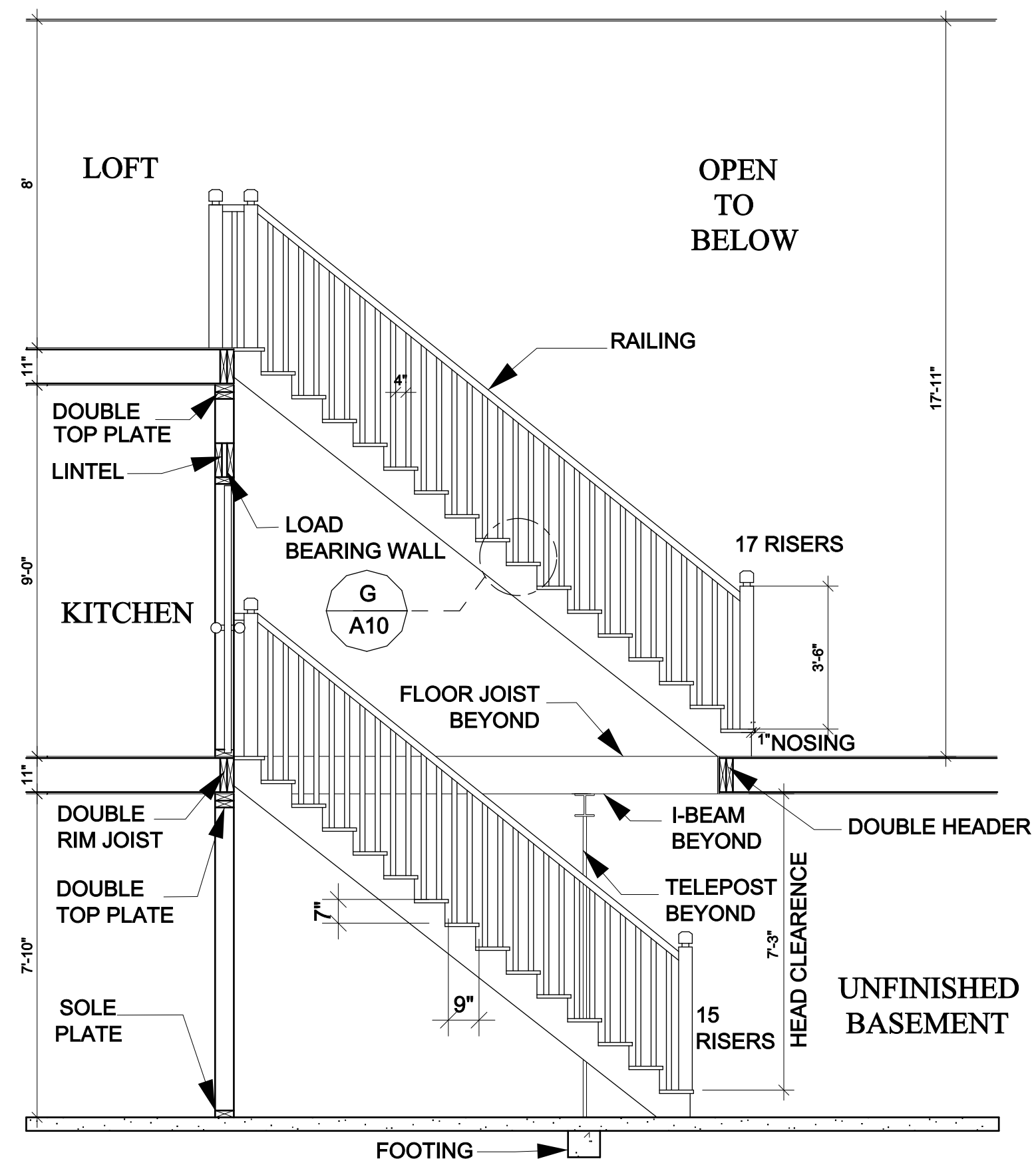
E  
A-3



# BALUSTRADE DETAIL

SCALE: 1 1/2" = 1'-0"

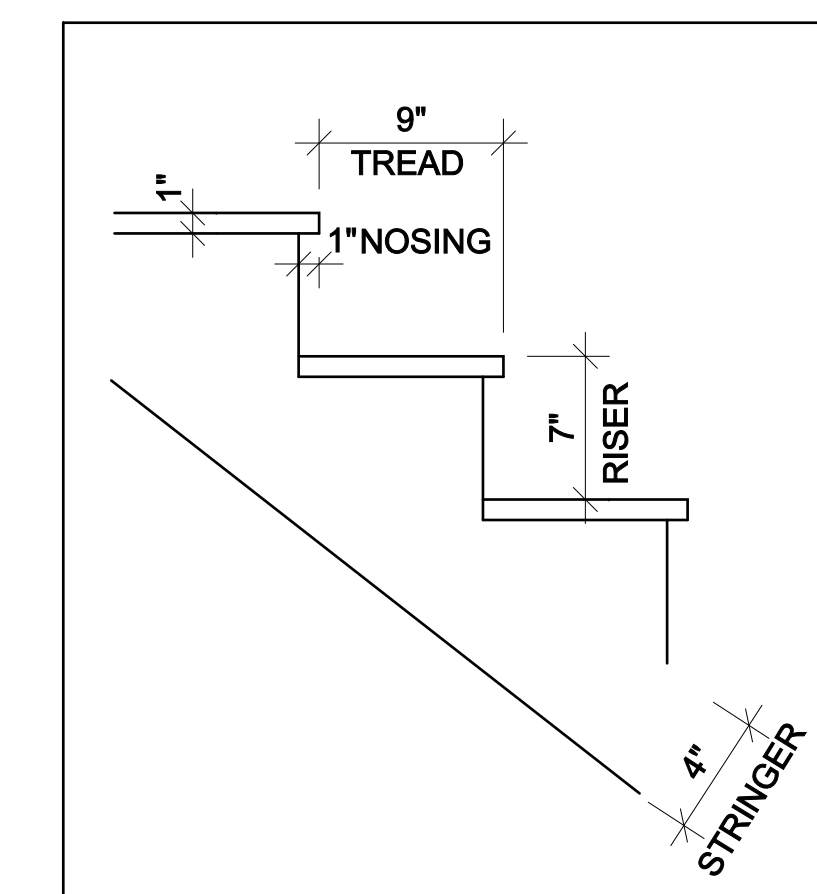
F  
A10



# STAIR SECTIONS

SCALE: 3/8" = 1'-0"

E  
A10



# RISER/TREAD DETAIL

SCALE: 1" = 1'-0"

G  
A10

General Notes

No.	Revision/Issue	Date

Orientation:	Stamp:

ALL DRAWINGS ARE THE PROPERTY OF THE DESIGNER AND THEY ARE NOT TO BE REPRODUCED IN WHOLE OR IN PART WITHOUT THE WRITTEN CONSENT OF THE DESIGNER.  
CONTRACTOR TO CHECK AND VERIFY ALL DIMENSIONS BEFORE COMMENCING WORK AND TO REPORT ANY DISCREPANCIES TO THE DESIGNER.

**Cadsoft**  
Guelph, ON  
1-888-CADSOFT

Project Name and Address:  
**McFarlin House**

Client:  
**Steve Wise**

Drawing: **Cross Section/Stair Section**

Scale: 1/4" = 1'-0" Date: August, 2009

Drawn By: <b>S.J.W.</b>	Sheet:
Checked By:	<b>A10</b>
Approved By:	